



Endura Series Games Table

EN 2000-1G

Max-Secure's research and development team has decades of experience solving issues specific to the corrections and institutional furniture industries. We have leveraged this experience to design a games table that is safe, secure and durable.

For 40 years, Max-Secure furniture has been installed in correctional facilities across North America with a "zero failure" record when installed by our specialized team. Constructed with Max-Secure's advanced proprietary Herculite polymer, our furniture exceeds all national and state fire codes and impact load tests. The unique fastening system leaves no exposed fasteners and the rounded corners ensure safety and reduce the possibility of injury. Our games table is available in a variety of colors to complement your facility's décor.

MAINTENANCE FREE FABRICATIONS

Max-Secure furniture is maintenance-free and comes with an industry leading ten-year warranty. Our tables are designed to make your resident rooms feel more like living areas and are proven to withstand continuous use in institutional and correctional environments.

PROPRIETARY HERCULITE POLYMER COMPOSITE MATERIAL

All Endura series products are constructed from our proprietary structural polymer composite. This proven material has been formulated to be maintenance-free, impact resistant, and will not produce toxic fumes.

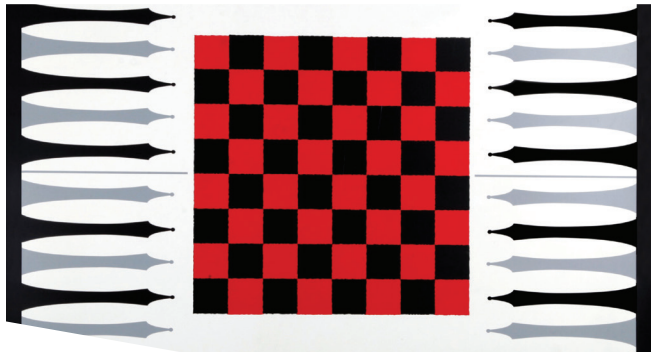
See back for details.

PRODUCT FEATURES

- Unprecedented 10-year warranty
- Maintenance-free one-piece construction
- Designed to prevent injury to self or others
- Meets all national and state fire codes
- Herculite Polymer Composite will not produce toxic fumes
- Pick-proof perimeter sealant forms an impenetrable barrier (optional)
- Resists scratching or carving of surface
- No exposed fasteners
- No space for concealment
- Stable and comfortable
- Factory-trained installers provide 10-year installation warranty
- Made in the USA

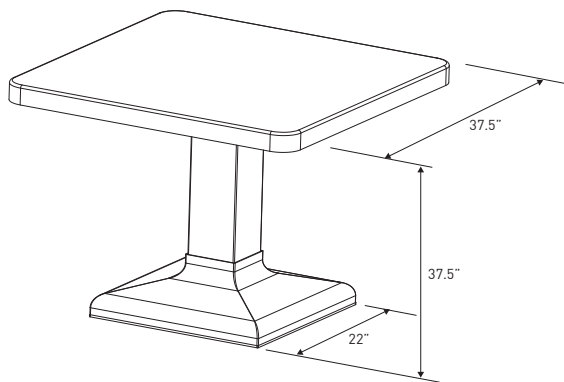
Endura Series Games Table

EN 2000-1G



Closeup of Games Table EN 2000-1G Tabletop

STANDARD PRODUCT COLORS



MaxSecure Systems Inc.

300 International Drive, Suite 100
Williamsville, NY 14221
USA

Phone: (800) 657-4336
Fax: (800) 769-4463
www.max-secure.com



Distributor

PERFORMANCE TESTING

ASTM D790	Flexural Strength	19,000 [psi]
ASTM D790	Flexural Modulus	1,300,000 [psi]
ASTM D638	Tensile Strength	14,000 [psi]
ASTM D638	Tensile Modulus	1,400,000 [psi]
ASTM D256	Notched Izod	10 [ft-lb/in ²]
ASTM D4812	Unnotched Impact	13 [ft-lb/in ²]
ASTM D2583	Barcol Hardness	50 - 60

FLAMMABILITY COMPLIANCE

ASTM E84	Steiner Tunnel Flame Spread Test
California No.133	Flammability Test Procedure For Seating Furniture
UL94	Standard for Safety of Flammability of Plastic Materials

PRODUCT WEIGHT

91 KG / 200 Lbs.

ITEM NUMBER

Games Table [EN 2000-1G] 37.5 x 37.5 x 37.5in

RELATED PRODUCTS

Dining Table	[EN 2000-1]
Dining Chair	[EN 2000-2]
Double Dining Table	[EN 2000-1R2]
Club Chair	[EN 2000-4]

INSTALLATION (OPTIONAL)

Structural adhesive mounting system and perimeter pick-proof sealant with no exposed fasteners. Call for complete installation instructions or to get a quote for installation from our factory-trained technicians.

WARRANTY

We offer the best and most comprehensive warranty in the industry, 10 years on products and 10 years on installation when installed by our factory-trained technicians.

MASTER FORMAT NUMBERING (FILING SYSTEM)

12 55 00	Detention Furniture
12 56 00	Institutional Furniture

