



## Estilo Series Armless Chair

ES 4000-3

Max-Secure's research and development team has decades of experience solving issues specific to the corrections and institutional furniture industries. We have leveraged this experience to design a chair that is safe, secure, durable, comfortable, and styled to meet current furniture trends.

For 40 years, Max-Secure furniture has been installed in correctional facilities across North America with a "zero failure" record when installed by our specialized team. Constructed with Max-Secure's advanced polymer composition, our chair exceeds all national and state fire codes and impact load tests. The rotationally molded process used in manufacturing the chair inherently creates a strong, durable and stable base. The rounded corners ensure safety and reduce the possibility of injury. The chair is available in a variety of contemporary colors to compliment your facility's decor.

### MAINTENANCE FREE FABRICATIONS

Max-Secure furniture is maintenance-free and comes with a standard industry five-year warranty. Our chairs are designed to make your resident rooms feel more like living areas and are proven to withstand continuous use in institutional and correctional environments.

### PROPRIETARY ADVANCED POLYMER MATERIAL

All Estilo Series products are constructed from our proprietary advanced polymer composition. This proven material has been formulated to be maintenance-free, impact resistant, and will not produce toxic fumes.

See back for details.

### PRODUCT FEATURES

- Five-year limited replacement warranty
- Maintenance-free monolithic construction
- Designed to prevent injury to self or others
- Meets all national and state fire codes
- Advanced Polymer composition will not produce toxic fumes
- No exposed fasteners
- No space for concealment
- Can be ballasted to prevent lifting or throwing

# MAX-SECURE™

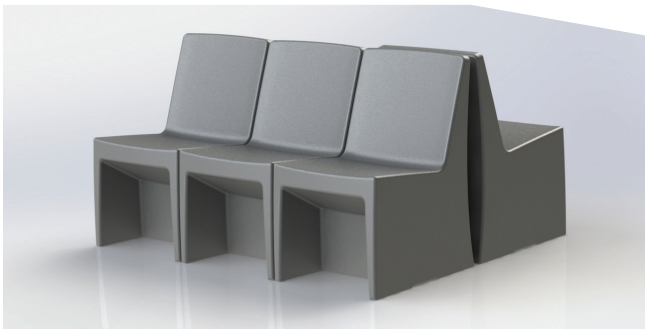
Institutional Furniture

## Estilo Series Armless Chair

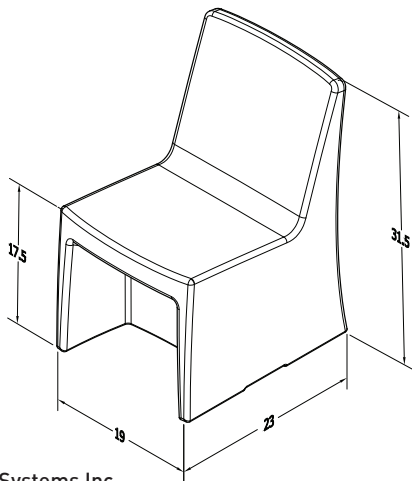
ES 4000-3



Armless Chair ES 4000-3



Armless Chair ES 4000-3 Shown in Multi-Ganged Configuration



### MaxSecure Systems Inc.

300 International Drive, Suite 100  
Williamsville, NY 14221  
USA

Phone: (800) 657-4336  
Fax: (800) 769-4463  
[www.max-secure.com](http://www.max-secure.com)



Distributor

### PERFORMANCE TESTING

ANSI/BIFMA X5.1 2011 General Purpose Office Chairs Compliance for Static and Dynamic Load

Chemically Resistant to Various Chemical Reagents

UV Stabilized

### FLAMMABILITY COMPLIANCE

**California No. 133** Flammability Test Procedure For Seating Furniture

**UL94** Standard for Safety of Flammability of Plastic Materials

### PRODUCT WEIGHT

8 KG / 18 Lbs.

### RELATED PRODUCTS

Dining Table [ES 4000-1]

Dining Table Extended [ES 4000-1D]

Games Table [ES 4000-1G]

Armchair [ES 4000-4]

### WARRANTY

Five-year limited replacement warranty.

### MASTER FORMAT NUMBERING (FILING SYSTEM)

11 19 70 Correctional Furniture

12 60 00 Institutional Furniture

### INSTALLATION

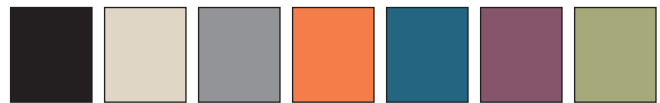
Required for bolt-down plates, ganging plates, and ballast.

### ACCESSORIES

Ballasting bags (dry sand provided by others)

Powder coated steel bolt-down/ganging plates

### STANDARD PRODUCT COLORS



C130  
Onyx  
Black

C131  
Sandstone

C132  
Pewter  
Grey

C133  
Tangerine

C134  
Poseidon

C135  
Marsala

C136  
Contempo

