

## Endura Series Bunk Bed

EN 6000 – 20



Max-Secure's research and development team has decades of experience solving issues specific to the corrections and institutional furniture industries. We have leveraged this experience to design a bunk bed assembly that is safe, secure, durable, and comfortable.

For 40 years, Max-Secure furniture has been installed in correctional facilities across North America with a "zero failure" record when installed by our specialized team. Constructed with Max-Secure's advanced proprietary Herculite polymer, our furniture exceeds all national and state fire codes and impact load tests. The unique fastening system leaves no exposed fasteners and the rounded corners ensure safety and reduce the possibility of injury. The bunk bed assembly is available in a variety of colors to complement your facility's décor.

### MAINTENANCE FREE FABRICATIONS

Max-Secure furniture is maintenance free and comes with an industry leading ten-year warranty. Our beds are designed to make your resident rooms feel more like living areas and are proven to withstand continuous use in institutional and correctional environments.

### PROPRIETARY HERCULITE POLYMER COMPOSITE MATERIAL

All Endura series products are constructed from our proprietary structural polymer composite. It has been formulated to be maintenance free, anti-microbial and will not produce toxic fumes.

See back for details.

### PRODUCT FEATURES

- Unprecedented 10-year warranty
- Maintenance-free monolithic surface
- Designed to prevent injury to self or others
- Meets all national and state fire codes
- Herculite Polymer Composite will not produce toxic fumes
- Herculite Polymer Composite is anti-microbial
- Pickproof perimeter sealant forms a complete liquid barrier
- No exposed fasteners
- No space for concealment
- Smooth finish prevents bed bug infestations
- Can be wall-mounted, corner-mounted or free standing
- Factory trained installers provide 10-year installation warranty
- Made in the USA

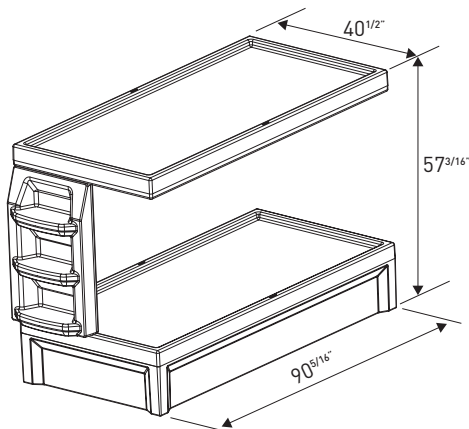
## Endura Series Bunk Bed

EN 6000 – 20



Bunk Bed Assembly EN 6000-20

### STANDARD PRODUCT COLOUR



Max-Secure Systems Inc.  
300 International Drive, Suite 100  
Williamsville, NY 14221  
USA

Phone: (800) 657-4336  
Fax: (800) 769-4463  
www.max-secure.com



Distributor

### FLAMABILITY COMPLIANCE

ASTM - E84	Steiner Tunnel Flame Spread Test
California No.133	Flammability Test Procedure For Seating
UL1056	Fire Test of Upholstered Furniture
ASTM E1537	Test Method for Fire Testing of Real Scale
NFPA 261	Cigarette Ignition Resistance of Upholstered Furniture
BS 7176:2007	High Hazard Occupancy (BS En 1012-1, BS En 1012-2: 2006, BS 5852:2006)
ASTM E662	Specific Optical Density of Smoke Generated by Solid Materials

### PRODUCT WEIGHT

65.3 KG / 175 Lbs.

### RELATED PRODUCTS

Two Shelf Locker	(EN 6000 – 8) <a href="http://www.max-secure.com/two-shelf-locker">www.max-secure.com/two-shelf-locker</a>
Four Shelf Locker	(EN 6000-9) <a href="http://www.max-secure.com/four-shelf-locker">www.max-secure.com/four-shelf-locker</a>
Mattress	(EN 6000-M) <a href="http://www.max-secure.com/mattress">www.max-secure.com/mattress</a>
Bedside Nightstand	(EN 6000-17) <a href="http://www.max-secure.com/nightstand">www.max-secure.com/nightstand</a>

### INSTALLATION

No exposed fasteners, structural adhesive mounting system and perimeter pick proof sealant. Call for complete installation instructions or to get a quote for installation from our factory trained technicians.

### WARRANTY

We offer the best and most comprehensive warranty in the industry, 10 years on products and 10 years on installation when installed by our factory trained technicians.

### MASTER FORMAT NUMBERING (FILING SYSTEM)

12 55 00	Detention Furniture
12 56 00	Institutional Furniture

### ENVIRONMENTAL STANDARDS

Product certified for low chemical emissions to UL 2818.

