



Estilo Series Armchair

ES 4000-4

Max-Secure's research and development team has decades of experience solving issues specific to the corrections and institutional furniture industries. We have leveraged this experience to design an armchair that is safe, secure, durable, comfortable, and styled to meet current furniture trends.

For 40 years, Max-Secure furniture has been installed in correctional facilities across North America with a "zero failure" record when installed by our specialized team. Constructed with Max-Secure's advanced polymer composition, our armchair exceeds all national and state fire codes and impact load tests. The rotationally molded process used in manufacturing the armchair inherently creates a strong, durable and stable base. The rounded corners ensure safety and reduce the possibility of injury. The armchair is available in a variety of contemporary colors to compliment your facility's decor.

MAINTENANCE FREE FABRICATIONS

Max-Secure furniture is maintenance-free and comes with a standard industry five-year warranty. Our armchairs are designed to make your resident rooms feel more like living areas and are proven to withstand continuous use in institutional and correctional environments.

PROPRIETARY ADVANCED POLYMER MATERIAL

All Estilo Series products are constructed from our proprietary advanced polymer composition. This proven material has been formulated to be maintenance-free, impact resistant, and will not produce toxic fumes.

See back for details.

PRODUCT FEATURES

- Five-year limited replacement warranty
- Maintenance-free monolithic construction
- Designed to prevent injury to self or others
- Meets all national and state fire codes
- Advanced Polymer composition will not produce toxic fumes
- No exposed fasteners
- No space for concealment
- Can be ballasted to prevent lifting or throwing

MAX-SECURE™

Institutional Furniture

Estilo Series Armchair

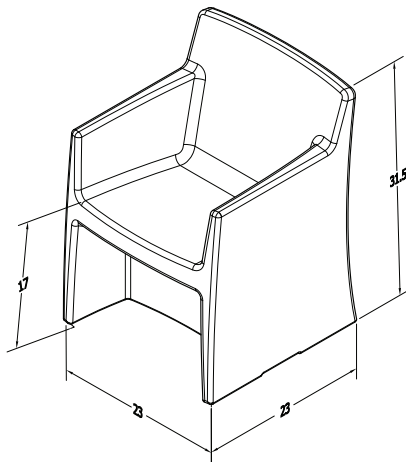
ES 4000-4



Armchair ES 4000-4 with Dining Table ES 4000-1



Armchair ES 4000-4 Shown in Multi-Ganged Configuration



MaxSecure Systems Inc.

300 International Drive, Suite 100
Williamsville, NY 14221
USA

Phone: (800) 657-4336
Fax: (800) 769-4463
max-secure.com



Distributor

PERFORMANCE TESTING

ANSI/BIFMA X5.1 2011 General Purpose Office Chairs Compliance for Static and Dynamic Load

Chemically Resistant to Various Chemical Reagents

UV Stabilized

FLAMMABILITY COMPLIANCE

California No. 133 Flammability Test Procedure For Seating Furniture

UL94 Standard for Safety of Flammability of Plastic Materials

PRODUCT WEIGHT

10 KG / 22 Lbs.

RELATED PRODUCTS

Dining Table [ES 4000-1]

Dining Table Extended [ES 4000-1D]

Games Table [ES 4000-1G]

Armless Chair [ES 4000-3]

WARRANTY

Five-year limited replacement warranty.

MASTER FORMAT NUMBERING (FILING SYSTEM)

11 19 70 Correctional Furniture

12 60 00 Institutional Furniture

INSTALLATION

Required for bolt-down plates, ganging plates, and ballast.

ACCESSORIES

Ballasting bags (dry sand provided by others)

Powder coated steel bolt-down/ganging plates

STANDARD PRODUCT COLORS



C130
Onyx
Black

C131
Sandstone

C132
Pewter
Grey

C134
Poseidon

C135
Marsala

