



Estilo Series Games Table

ES 4000-1G (ES 4000-1TG and ES 4000-1B)

Max-Secure's research and development team has decades of experience solving issues specific to the corrections and institutional furniture industries. We have leveraged this experience to design a table that is safe, secure, durable and styled to meet current furniture trends.

For 40 years, Max-Secure furniture has been installed in correctional facilities across North America with a "zero failure" record when installed by our specialized team. Constructed with Max-Secure's advanced polymer composition, our table exceeds all national and state fire codes and impact load tests. The rotationally molded process used in manufacturing the table base inherently creates a strong, durable and stable base. The table top is constructed with Max-Secure's proprietary impact resistant Herculite polymer. The rounded corners ensure safety and reduce the possibility of injury. The games table is available in a variety of contemporary colors to compliment your facility's decor.

MAINTENANCE FREE FABRICATIONS

Max-Secure furniture is maintenance-free and comes with a standard industry five-year warranty. Our tables are designed to make your resident rooms feel more like living areas and are proven to withstand continuous use in institutional and correctional environments.

PROPRIETARY ADVANCED POLYMER MATERIAL

All Estilo Series products are constructed from our proprietary advanced polymer composition. This proven material has been formulated to be maintenance-free, impact resistant, and will not produce toxic fumes.

See back for details.

PRODUCT FEATURES

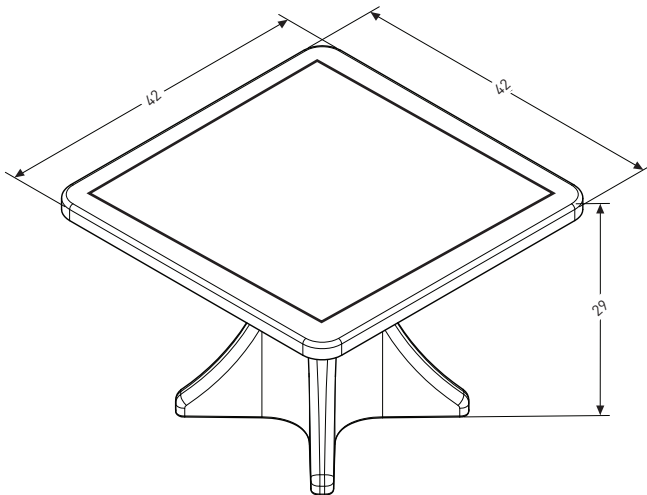
- Five-year limited replacement warranty
- Maintenance-free monolithic construction
- Designed to prevent injury to self or others
- Meets all national and state fire codes
- Advanced Polymer composition will not produce toxic fumes
- Resists carving or scratching of table top surface
- No exposed fasteners
- No space for concealment
- Can be ballasted to prevent lifting or throwing

Estilo Series Games Table

ES 4000-1G (ES 4000-1TG and ES 4000-1B)



Games Table ES 4000-1G (ES 4000-1TG and ES 4000-1B) with Armless Chairs ES 4000-3



MaxSecure Systems Inc.
300 International Drive, Suite 100
Williamsville, NY 14221
USA

Phone: (800) 657-4336
Fax: (800) 769-4463
max-secure.com



Distributor

PERFORMANCE TESTING

ANSI/BIFMA X5.1 2011 General Purpose Office Chairs Compliance for Static and Dynamic Load

Chemically Resistant to Various Chemical Reagents

UV Stabilized

FLAMMABILITY COMPLIANCE

California No. 133 Flammability Test Procedure For Seating Furniture

UL94 Standard for Safety of Flammability of Plastic Materials

PRODUCT WEIGHT

51.3 KG / 113 Lbs.

RELATED PRODUCTS

Armless Chair [ES 4000-3]

Armchair [ES 4000-4]

Dining Table [ES 4000-1]

Dining Table Extended [ES 4000-1D]

WARRANTY

Five-year limited replacement warranty.

MASTER FORMAT NUMBERING (FILING SYSTEM)

11 19 70 Correctional Furniture

12 60 00 Institutional Furniture

INSTALLATION

Freestanding or secure in place with structural mounting system. Call for a quotation for complete installation from our factory-trained technicians.

ACCESSORIES

Ballasting bags (dry sand provided by others) for Table Base

STANDARD TABLE TOP COLORS



C101
Ash



C117
Desert Sand



C104
Russet



C109
Forest



C113
Steel Blue

STANDARD TABLE BASE COLORS



C130
Onyx
Black

