



Endura Series Lower Bed

EN 6000-1

Max-Secure's research and development team has decades of experience solving issues specific to the corrections and institutional furniture industries. We have leveraged this experience to design a bed that is safe, secure, durable, and comfortable.

For 40 years, Max-Secure furniture has been installed in correctional facilities across North America with a "zero failure" record when installed by our specialized team. Constructed with Max-Secure's advanced proprietary Herculite polymer, our bed exceeds all national and state fire codes and impact load tests. The long low lines of the bed make it attractive and stable. The rounded corners ensure safety and reduce the possibility of injury. The lower bed is available in a variety of colors to complement your facility's décor.

MAINTENANCE FREE FABRICATIONS

Max-Secure furniture is maintenance-free and comes with an industry leading ten-year warranty. Our beds are designed to make your resident rooms feel more like living areas and are proven to withstand continuous use in institutional and correctional environments.

PROPRIETARY HERCULITE POLYMER COMPOSITE MATERIAL

All Endura series products are constructed from our proprietary structural polymer composite. This proven material has been formulated to be maintenance-free, impact resistant, and will not produce toxic fumes.

See back for details.

PRODUCT FEATURES

- Unprecedented 10-year warranty
- Maintenance-free one-piece construction
- Designed to prevent injury to self or others
- Meets all national and state fire codes
- Herculite Polymer Composite will not produce toxic fumes
- Pick-proof perimeter sealant forms an impenetrable barrier
- No exposed fasteners
- No space for concealment
- Smooth finish prevents bed bug infestations
- Can be wall-mounted, corner-mounted or free standing
- Factory-trained installers provide 10-year installation warranty
- Made in the USA

MAX-SECURE™

Institutional Furniture

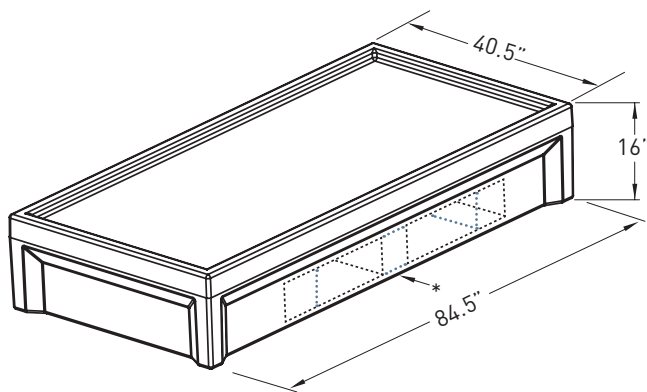
Endura Series Lower Bed

EN 6000-1



Shown with optional double storage pocket EN 6000-19

STANDARD PRODUCT COLORS



* Optional double storage pocket
Model EN 6000-19

MaxSecure Systems Inc.

300 International Drive, Suite 100
Williamsville, NY 14221
USA

Phone: (800) 657-4336
Fax: (800) 769-4463
www.max-secure.com



Distributor

PERFORMANCE TESTING

| | | |
|------------|-------------------|-----------------------------|
| ASTM D790 | Flexural Strength | 19,000 [psi] |
| ASTM D790 | Flexural Modulus | 1,300,000 [psi] |
| ASTM D638 | Tensile Strength | 14,000 [psi] |
| ASTM D638 | Tensile Modulus | 1,400,000 [psi] |
| ASTM D256 | Notched Izod | 10 [ft-lb/in ²] |
| ASTM D4812 | Unnotched Impact | 13 [ft-lb/in ²] |
| ASTM D2583 | Barcol Hardness | 50 - 60 |

FLAMMABILITY COMPLIANCE

| | |
|-------------------|--|
| ASTM E84 | Steiner Tunnel Flame Spread Test |
| California No.133 | Flammability Test Procedure For Seating Furniture |
| UL94 | Standard for Safety of Flammability of Plastic Materials |

PRODUCT WEIGHT

86 KG / 190 Lbs.

ITEM NUMBER

| | | |
|-----------|-------------|--------------------|
| Lower Bed | [EN 6000-1] | 40.5 x 84.5 x 16in |
|-----------|-------------|--------------------|

OPTIONS

| | | | |
|-----------------|-------------|--------------|-----------------|
| Storage Pockets | Single | [EN 6000-2] | 25 x 8 x 11in |
| | Double | [EN 6000-19] | 2-25 x 8 x 11in |
| | Single Wide | [EN 6000-14] | 25 x 10 x 16in |

Childrens/Youth beds and Special sizes available. Please call or email for more information.

RELATED PRODUCTS

| | |
|---------------|------------------|
| Restraint Bed | [EN 6000-12R/RB] |
| Bunk Beds | [EN 6000-20] |
| Mattress | [EN 6000-M] |

INSTALLATION

Structural adhesive mounting system and perimeter pick-proof sealant with no exposed fasteners. Call for complete installation instructions or to get a quote for installation from our factory-trained technicians.

WARRANTY

We offer the best and most comprehensive warranty in the industry, 10 years on products and 10 years on installation when installed by our factory-trained technicians.

MASTER FORMAT NUMBERING (FILING SYSTEM)

| | |
|----------|-------------------------|
| 12 55 00 | Detention Furniture |
| 12 56 00 | Institutional Furniture |

