

MAX SECURE™ Detention Products

© 2008 MAX SECURE SYSTEM INC.
CONFIDENTIAL AND PROPRIETARY DOCUMENT
ANY ONE OR MORE OF THE FOLLOWING
PATENTS MAY APPLY
U.S. PATENT NO. 5,303,669 5,775,835
6,449,790 AND 6,895,622 B2
C.D.N. PATENT NO. 2,032,532 2,070,984
U.S. PATENTS PENDING.
© KENNETH E. SZEKELY


MATERIAL LIST

ITEM	DESCRIPTION	PART NO.	QTY
1			
2			
3			
4			
5			
6			
7			
8			

REFERENCE DRAWINGS

DWG. NO.	DESCRIPTION

No.	DATE	REVISION	APPR.

SCALE N.T.S. 

DESIGNED BY	K.S.	DATE	07/31/06
DRAWN BY	A.M.	DATE	10/08/06
CHECKED BY	J.D.	DATE	10/08/06
PROJECT MANAGER			

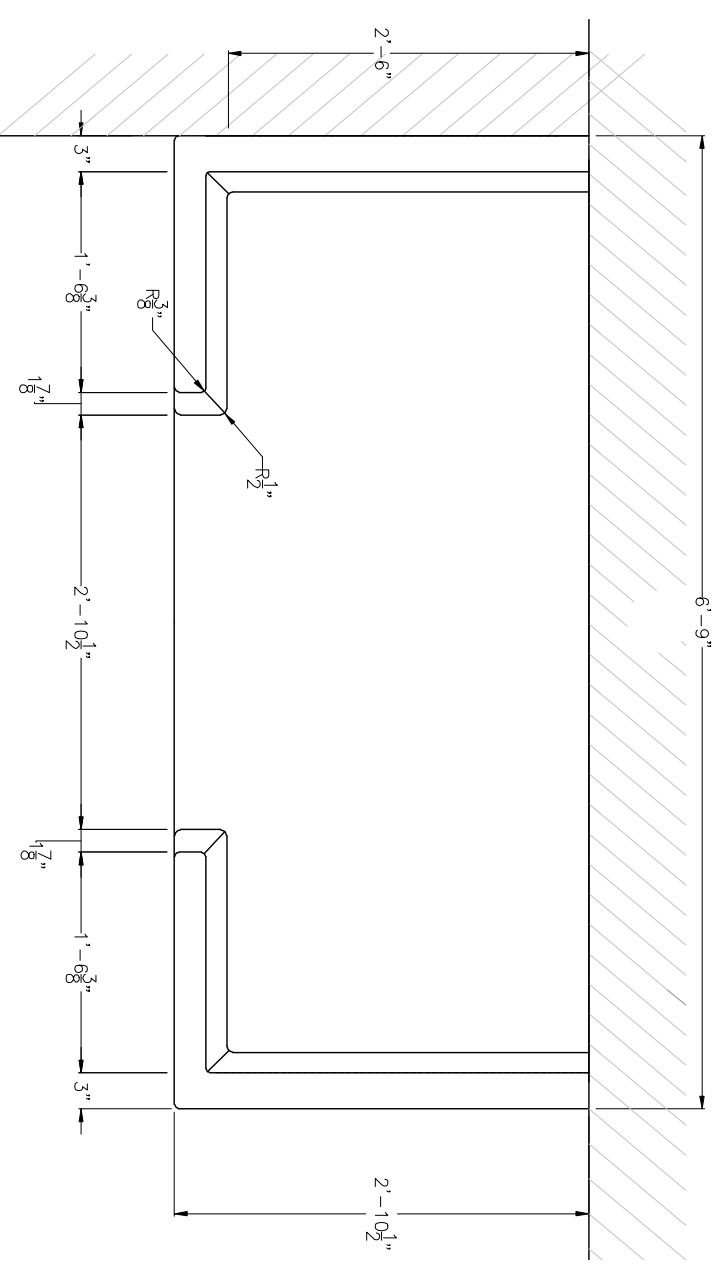
TRADE	PART NO.	5000-3
MATERIAL	HERCULITE POLYMER COMPOSITE	

SUBJECT
MAX SECURE™
MAINTENANCE FREE
INSTITUTIONAL FURNITURE

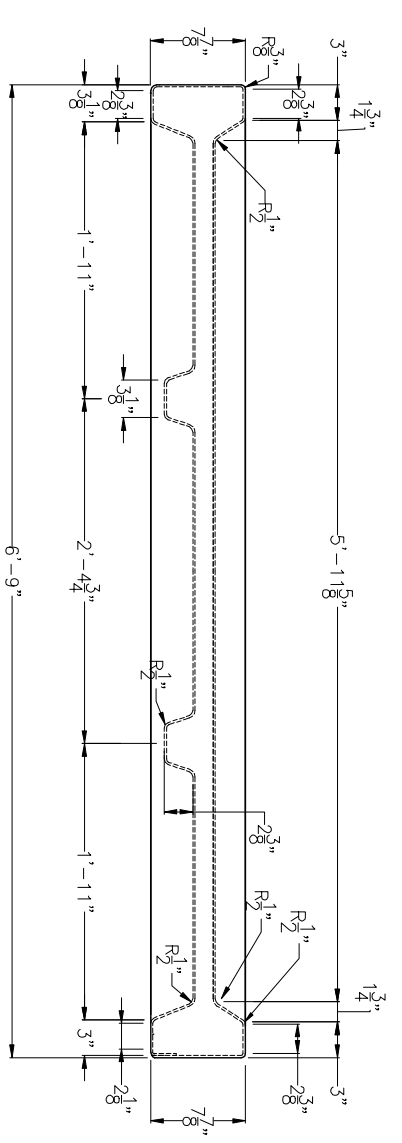
PROJECT

UPPER BED
PART NO. 5000-3
PLAN AND ELEVATIONS

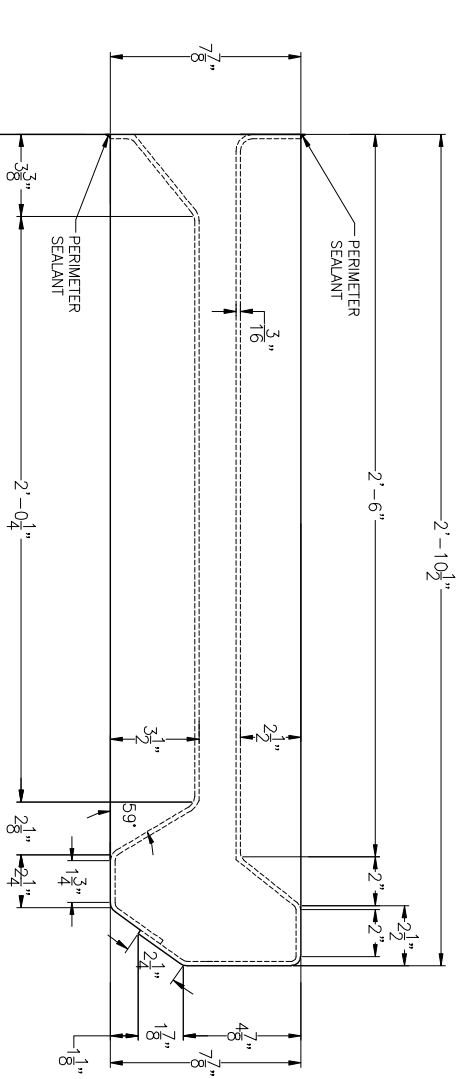
DRAWING NO.	5000-3	SHT. NO.	01	REV. NO.	0
-------------	--------	----------	----	----------	---



TOP VIEW



FRONT ELEVATION



SIDE ELEVATION

NOTE: INSTALLATION MOUNTING LEFT OR RIGHT SIDE OPTIONAL

