

# MAX SECURE™

## Detention Products

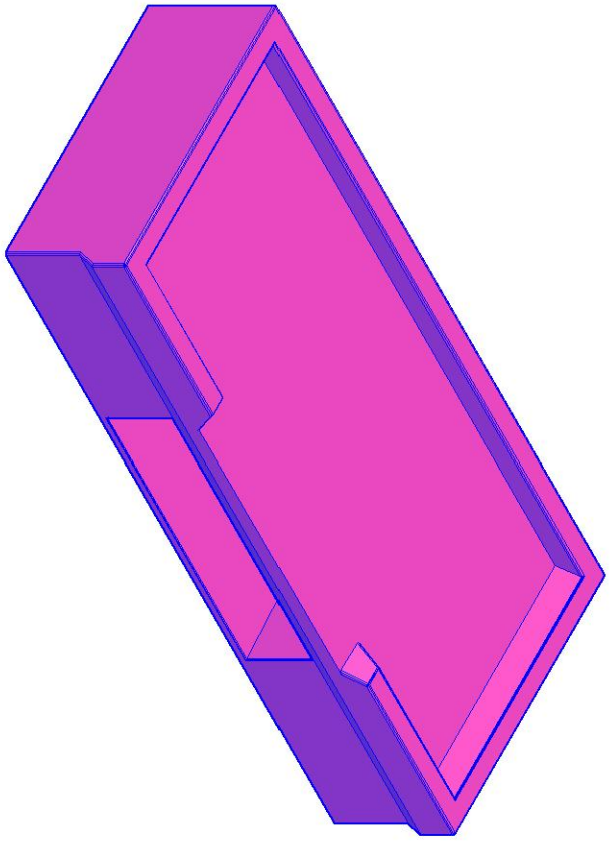
© 2008 MAX SECURE SYSTEM INC.  
 CONFIDENTIAL AND PROPRIETARY DOCUMENT  
 ANY ONE OR MORE OF THE FOLLOWING  
 PATENTS MAY APPLY  
 U.S. PATENT NO. 5,303,669 5,775,835  
 6,449,790 AND 6,895,622 B2  
 C.D.N. PATENT NO. 2,032,532 2,070,984  
 US PATENTS PENDING.  
 KENNETH E. SZEKELY

### MATERIAL LIST

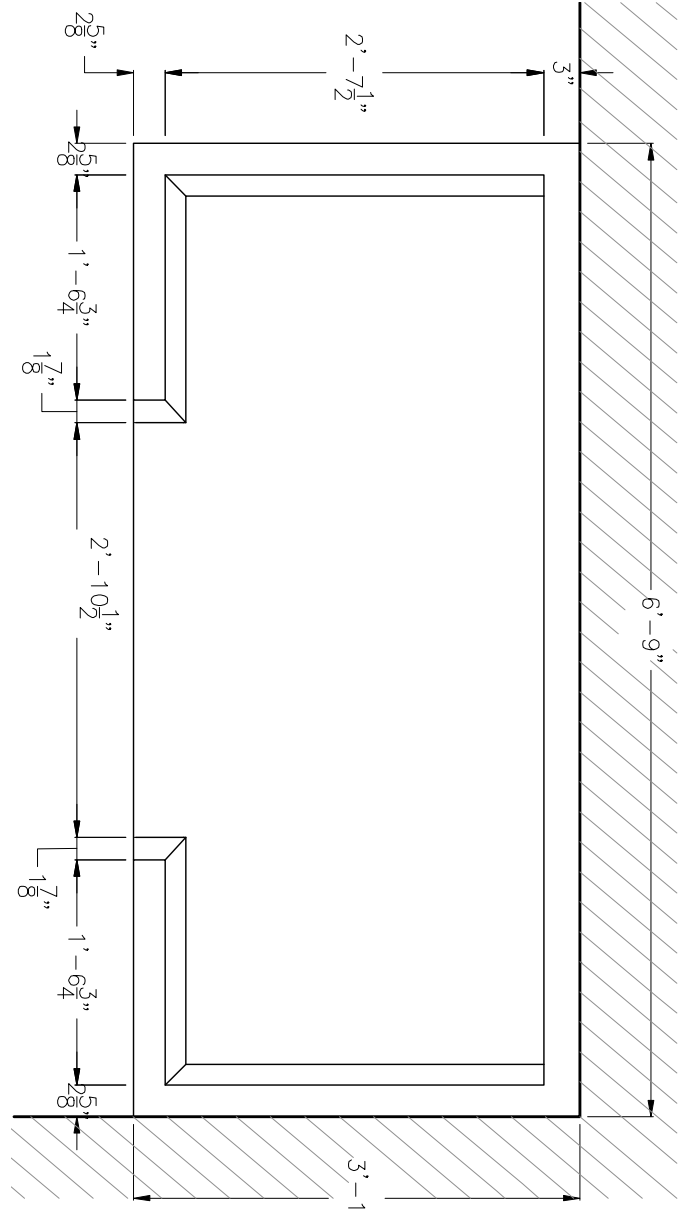
ITEM	DESCRIPTION	PART NO.	QTY
1			
2			
3			
4			
5			

### REFERENCE DRAWINGS

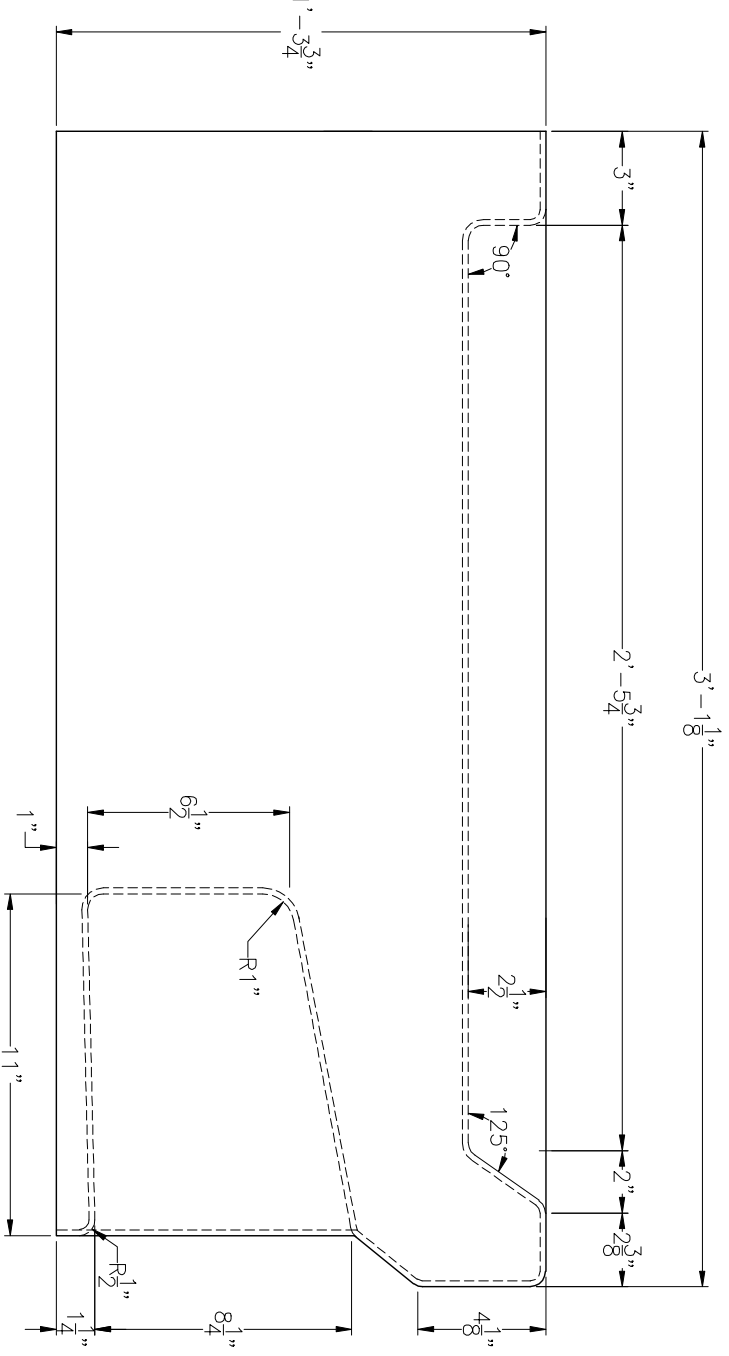
DWG. NO.	DESCRIPTION



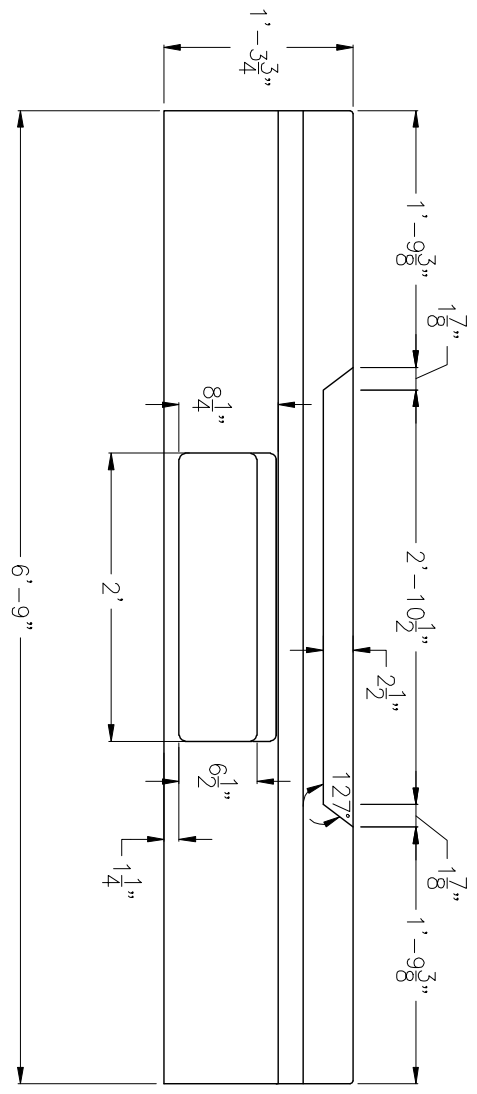
ISOMETRIC VIEW



PLAN VIEW



SIDE VIEW



FRONT VIEW

No.	DATE	REVISION	APPR.

SCALE N.T.S. 0 3 6 9 12 15

DESIGNED BY	K.S.	DATE	07/31/06
DRAWN BY	A.M	DATE	08/20/07
CHECKED BY	J.D	DATE	08/20/07

PROJECT MANAGER	PART NO.	5000-2

TRADE HERCULITE POLYMER COMPOSITE  
 SUBJECT **MAX SECURE™**  
 MAINTENANCE FREE  
 INSTITUTIONAL FURNITURE

PROJECT LOWER BED WITH STORAGE BIN  
 PART NO. 5000-2  
 PLAN AND ELEVATIONS

DRAWING NO.	SHT. NO.	REV. NO.
5000-2	01	0