

MAX SECURE™

Detention Products

© 2008 MAX SECURE SYSTEM INC.
 CONFIDENTIAL AND PROPRIETARY DOCUMENT
 ANY ONE OR MORE OF THE FOLLOWING
 PATENTS MAY APPLY
 U.S. PATENT NO. 5,303,669 5,775,835
 6,449,790 AND 6,895,622 B2
 C.D.N. PATENT NO. 2,032,532 2,070,984
 US PATENTS PENDING.
 © KENNETH E. SZEKELY

MATERIAL LIST

ITEM	DESCRIPTION	PART NO.	QTY
1			
2			
3			
4			
5			
6			
7			

NOTE:
 USE ITEM 2B (THROUGH BOLT) FOR BACK TO
 BACK MOUNTING WHEN LOCKERS ARE ADJACENT
 TO EACH OTHER IN OPPOSITE ROOMS.
 REFERENCE DRAWINGS

DWG. NO. DESCRIPTION

No.	DATE	REVISION	APPR.

SCALE N.T.S. 0 3 6 9 12 15

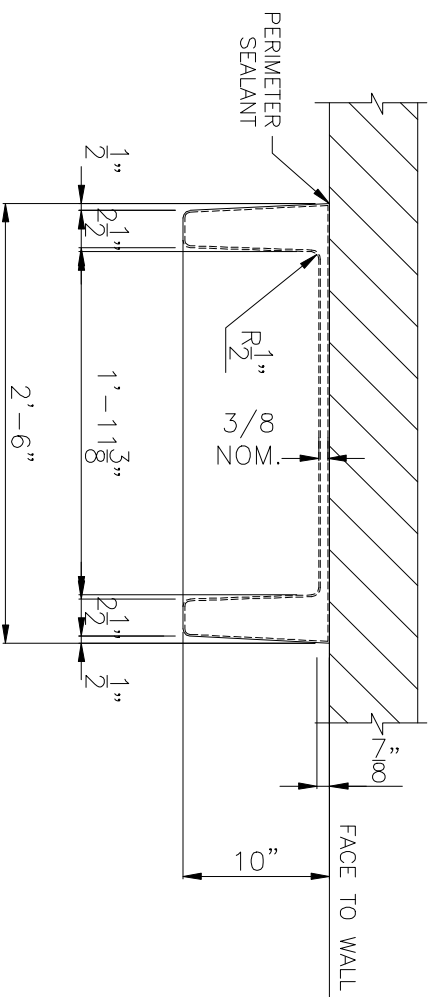
DESIGNED BY	K.S.	DATE	
DRAWN BY	A.M	DATE	07/25/07
CHECKED BY	J.D	DATE	07/25/07
PROJECT MANAGER			

TRADE	PART NO.
MATERIAL	5000-8
	HERCULITE POLYMER COMPOSITE

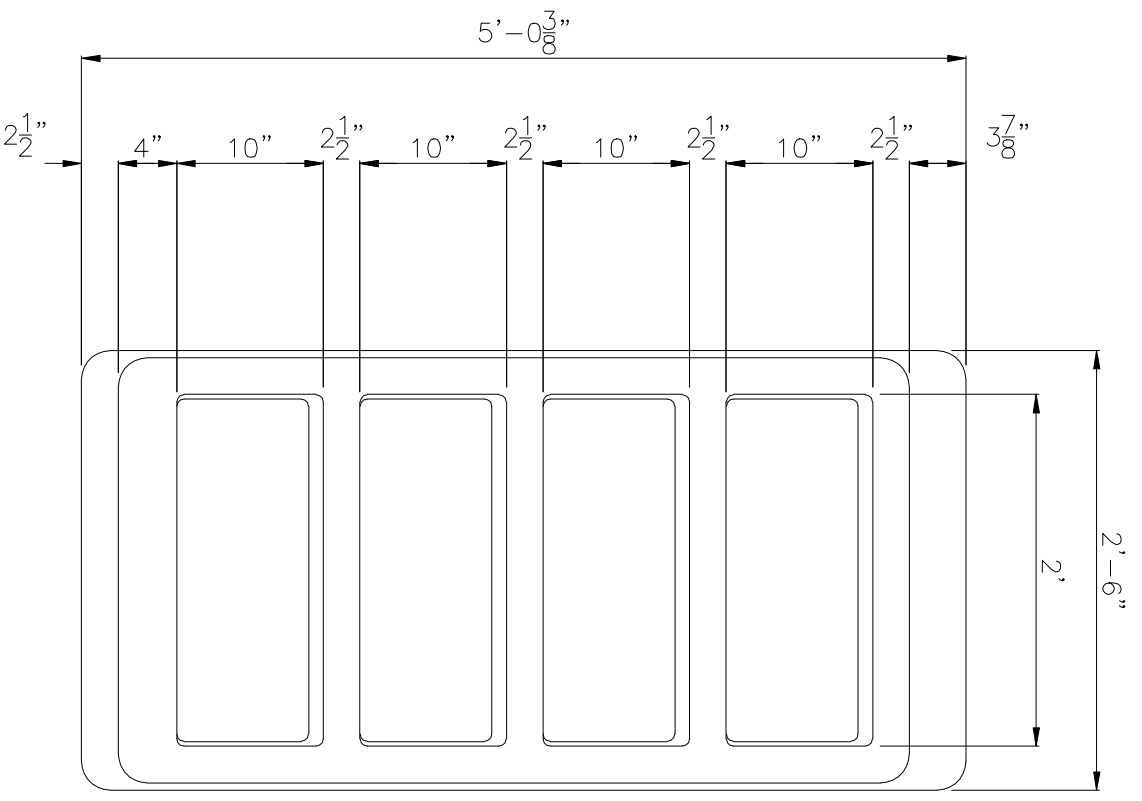
SUBJECT
MAX SECURE™
 MAINTENANCE FREE
 INSTITUTIONAL FURNITURE

PROJECT
 FOUR SHELF LOCKER
 PART NO. 5000-8
 PLAN AND ELEVATIONS

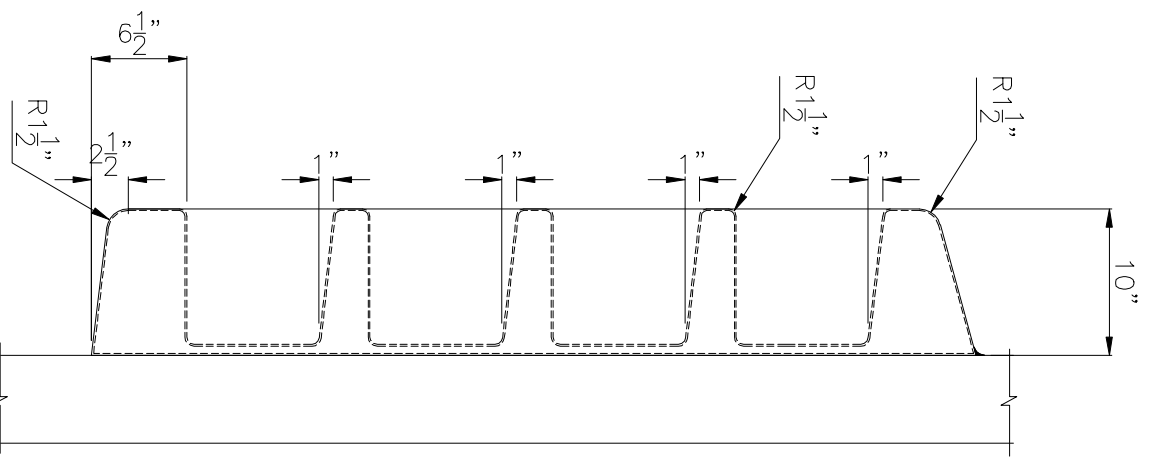
DRAWING NO.	5000-8	SHT. NO.	01	REV. NO.	0
-------------	--------	----------	----	----------	---



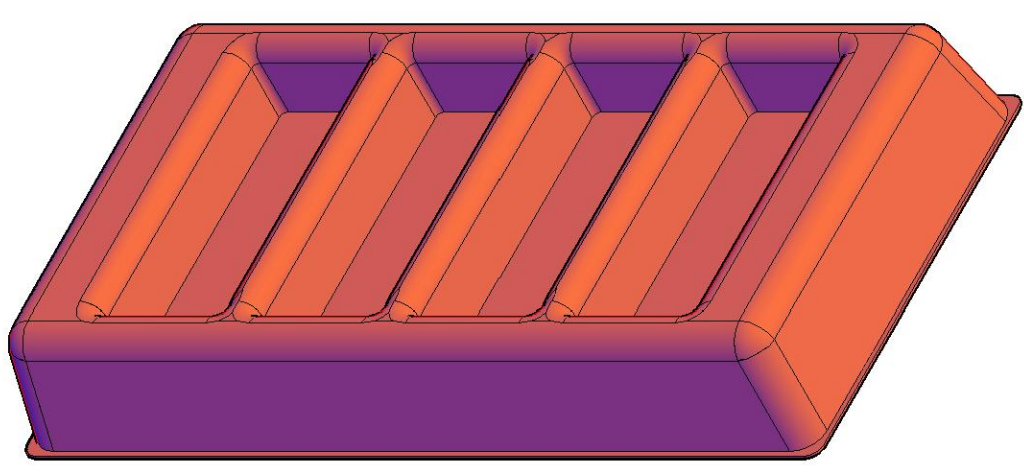
TOP VIEW



FRONT ELEVATION



SIDE ELEVATION



ISOMETRIC VIEW